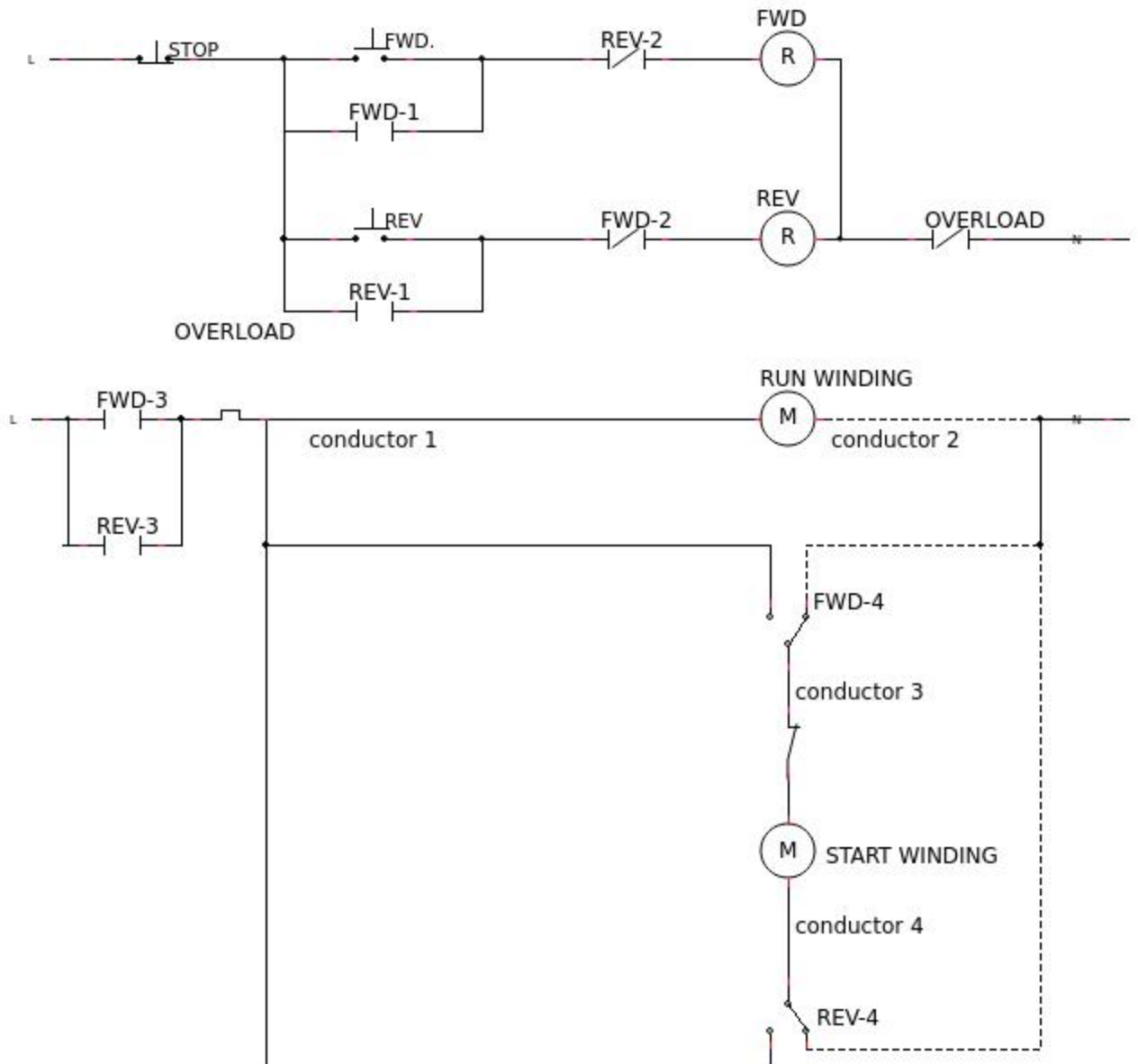


FORWARD / REVERSE CONTROLS FOR A SINGLE PHASE MOTOR WITH A CENTRIFUGAL SWITCH



NOTE: THIS MOTOR MUST COME TO A COMPLETE STOP BEFORE BEING REVERSED  
 4 CONDUCTORS PLUS A GROUND ARE REQUIRED BETWEEN MOTOR AND RELAYS