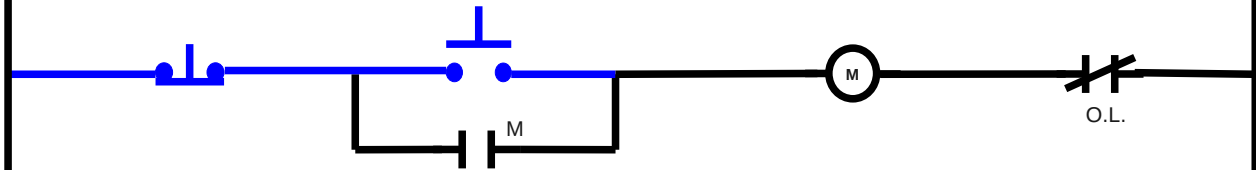
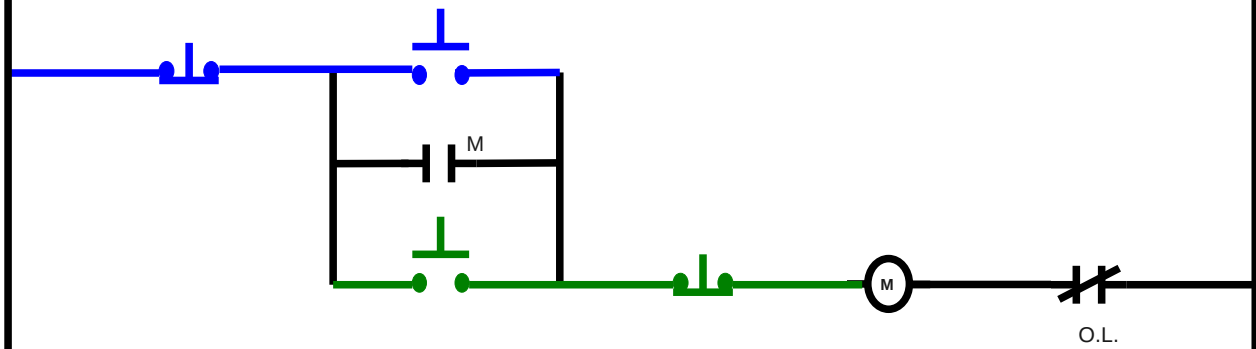


Three-wire Motor Control from One, Two and Three Locations

One Three-wire Stop/Start



Two Three-wire Stop/Start



Two Three-wire and One Four-wire Stop/Start

